

DuRock Uni-Flash

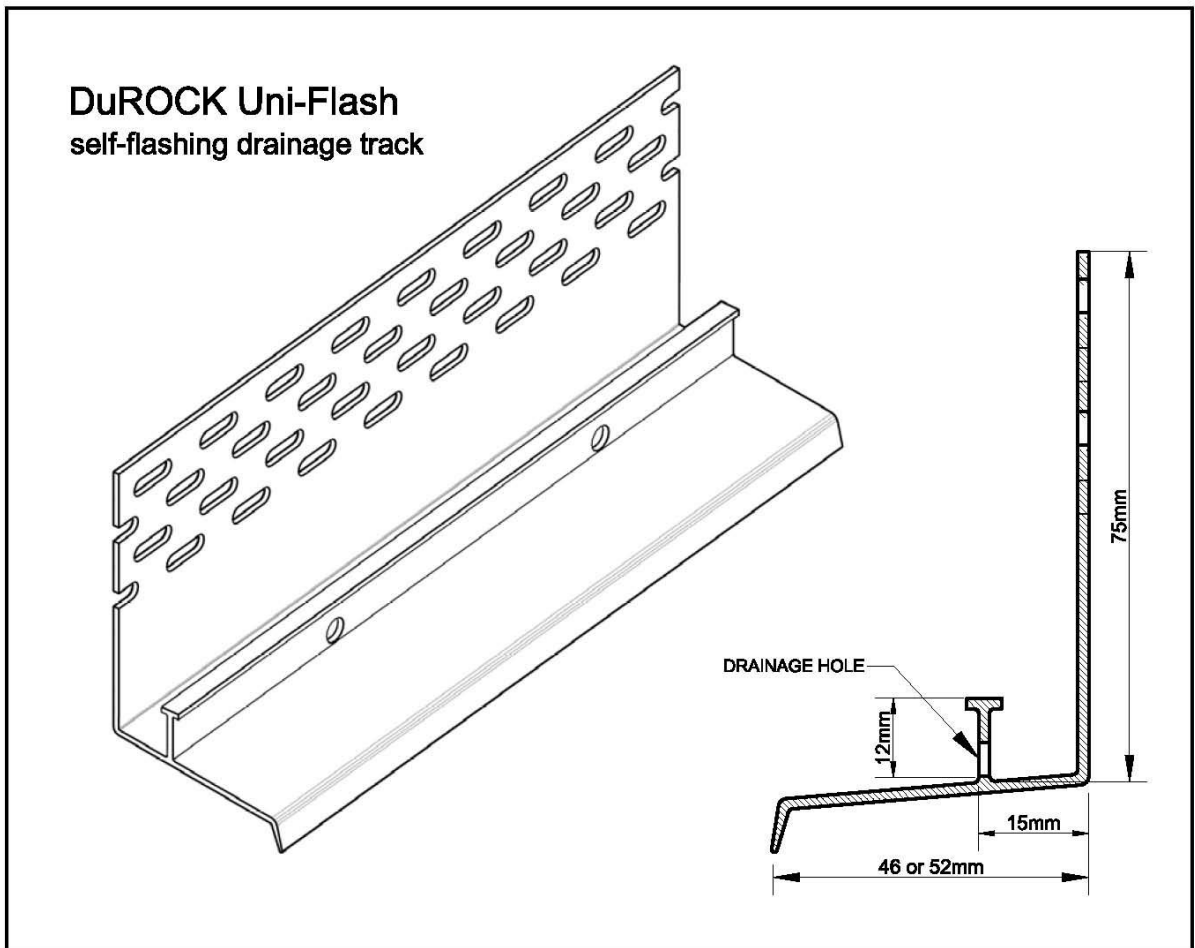
EIFS Self-Flashing Drainage Track

PRODUCT DESCRIPTION

DuROCK's patent pending **Uni-Flash** is a PolyVinyl Chloride (PVC) extrusion designed to be used at window head locations where DuROCK Exterior Insulation Finish Systems are expected to drain. It's one-size-fits-all profile eliminates the need to stock different profiles for every insulation thickness. DuROCK **Uni-Flash** is ten feet (3.05 m) long and is available in 1¼ inch (46 mm) and 2 inch (52 mm) widths. It is white in colour, but can be painted with most exterior latex paints.

INSTALLATION

DuROCK **Uni-Flash** may be either embedded into the wet DuROCK Air/Moisture Barrier appropriate for the substrate or it may be mechanically fastened to the substrate with corrosion-resistant screws. Butt ends tightly together, and seal ends at termination points and at corners. Refer to the applicable EIF System details for more information.



Refer to www.DuROCK.com for the most up-to-date version of this document.