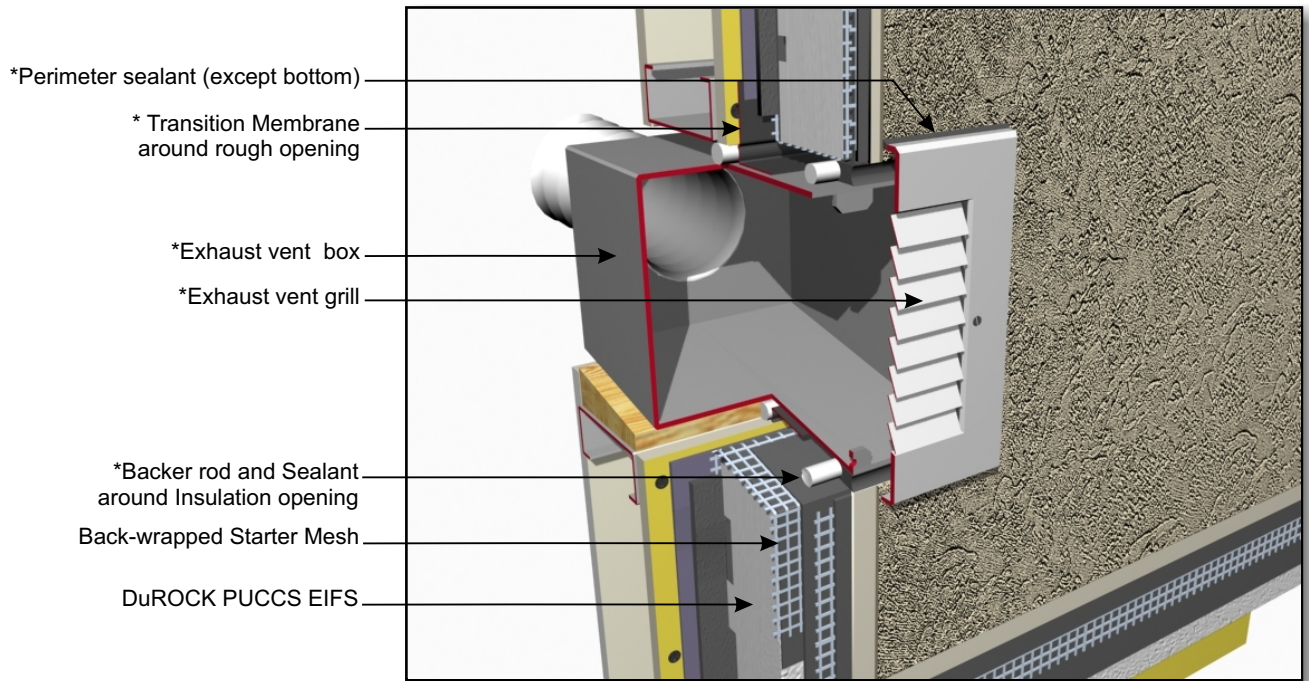


DuROCK PUCCS EIFS

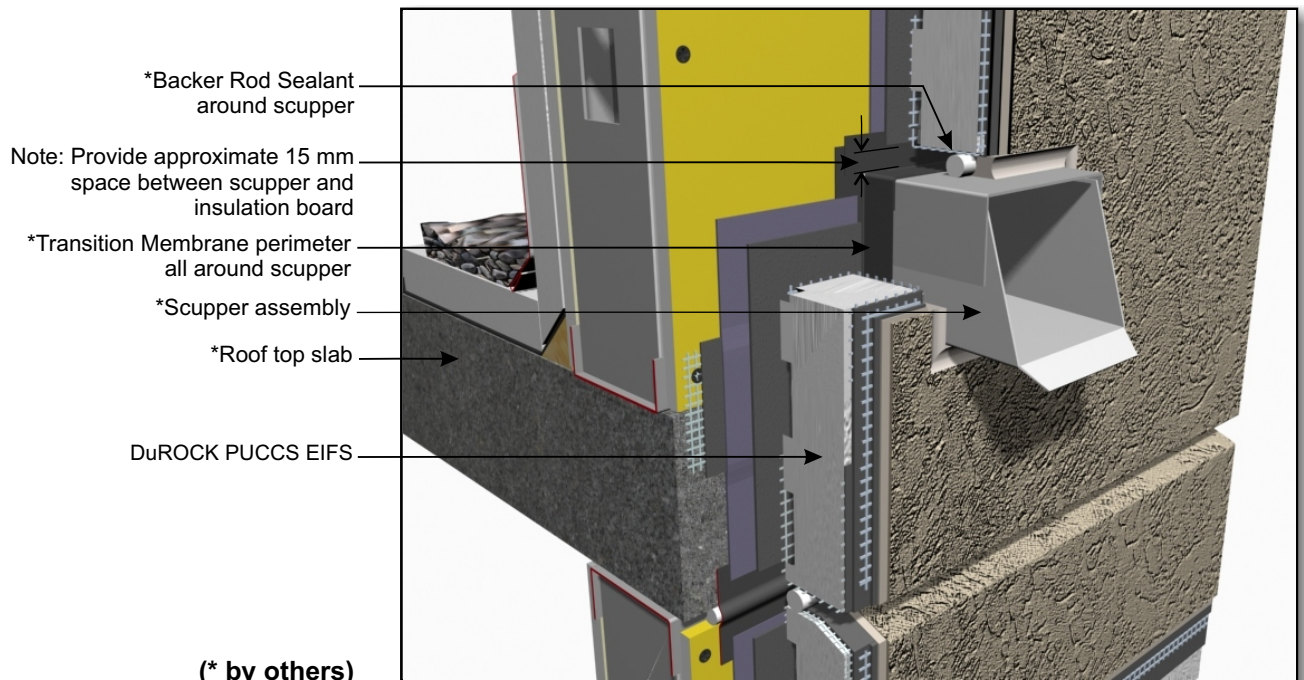
Exterior Insulation Finish System for Commercial and High Rise Construction



DuROCK
 ARCHITECTURAL FINISHING SYSTEMS



CHRC D12, WALL EXHAUST PENETRATION



CHRC D13, SCUPPER PENETRATION